

AS-8250P

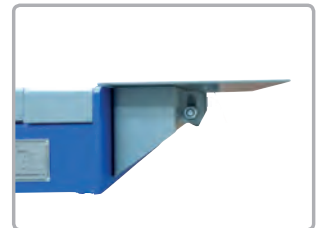
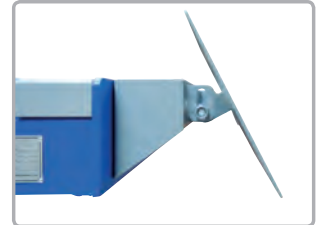
5T Capacity Scissor Lift



Automotech
Services Ltd



Air operated
safety locks



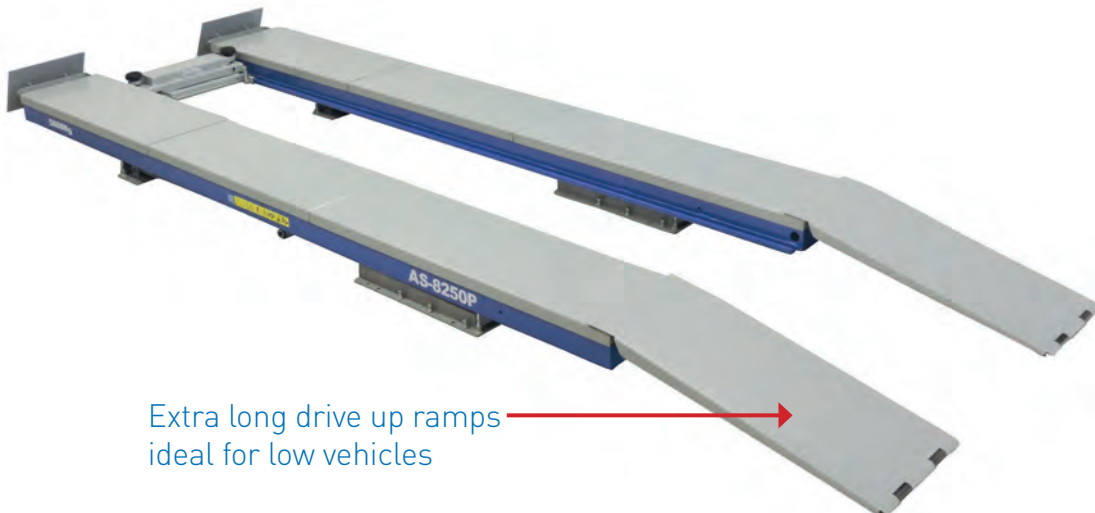
Optional flush mount
drive on ramps, for
infloor installation



290mm -
2160mm

5000mm

1308cm



Extra long drive up ramps
ideal for low vehicles



AS-8250P

5T Capacity Scissor Lift



Automotech
Services Ltd

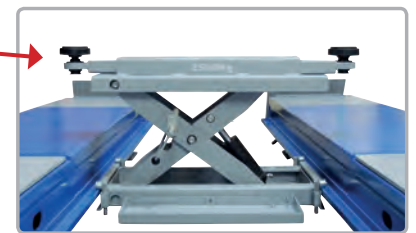


24V Controls

Our lifts are fitted with a low voltage control system. As is required



2500kg jacking beam included



Jacking beam lift pad extensions included



AS-8250P

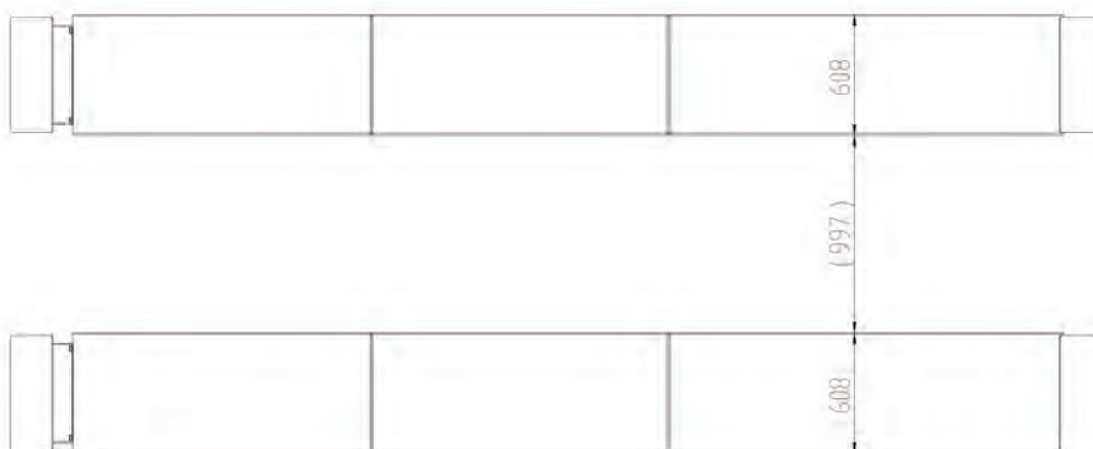
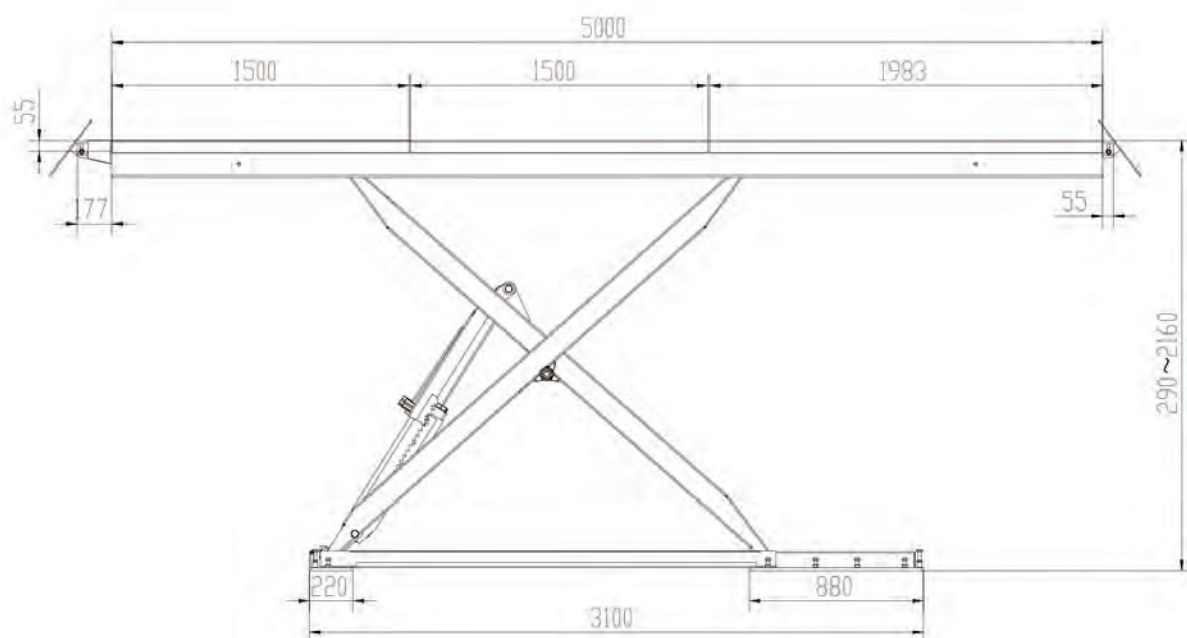
5T Capacity Scissor Lift



Automotech
Services Ltd

Layout for in-ground installation

Dimensions in mm





5T Capacity Scissor Lift

Layout for on-ground installation

Dimensions in mm

