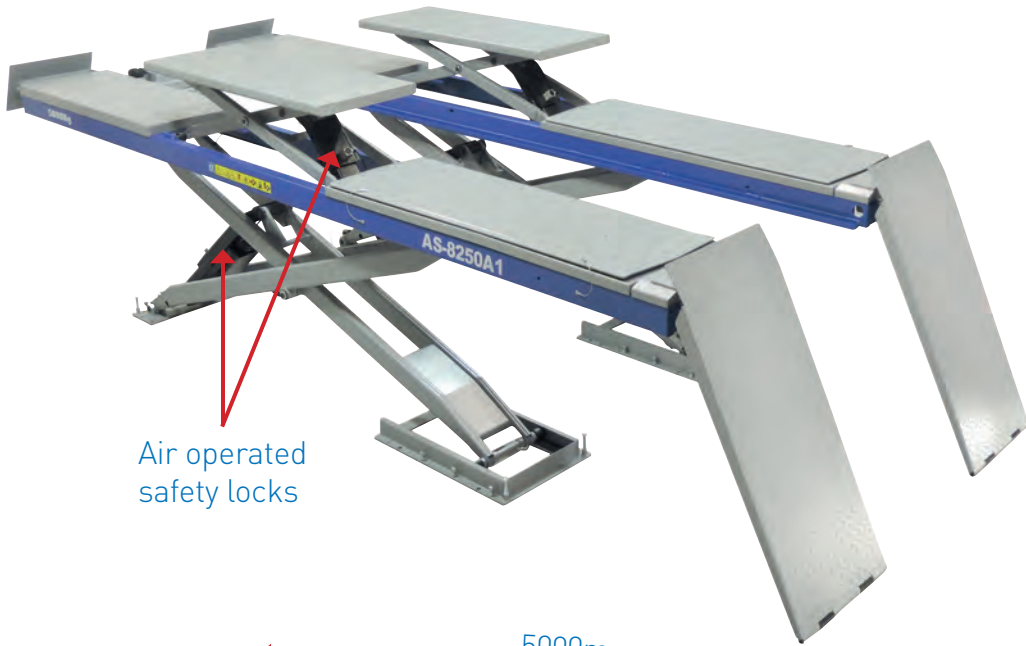


AS-8250A1

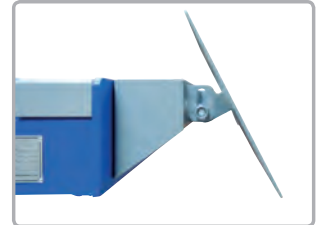
# 5T Capacity Alignment Scissor Lift



Automotech Services Ltd



Air operated safety locks



Optional flush mount drive on ramps, for infloor installation



290mm - 2160mm

5000mm

1308mm



## 24V Controls

Our lifts are fitted with a low voltage control system. As is required

Rear multi-directional slip plates

Built in, wheel free scissor lift

Front turn plates with covers

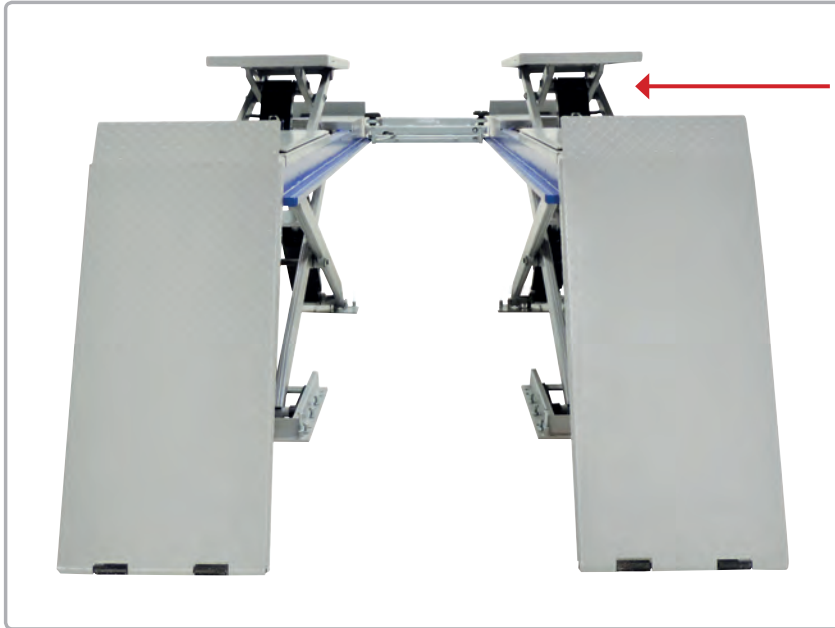


AS-8250A1

# 5T Capacity Alignment Scissor Lift



Automotech Services Ltd



Built-in secondary scissor lift for wheel free operation

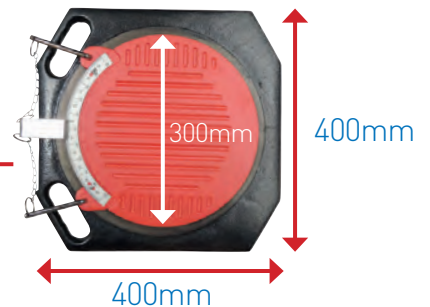


Removable front turn plate covers

Turn plates included



45mm

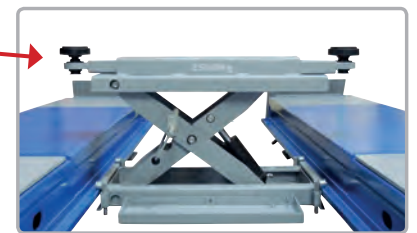


300mm

400mm

400mm

2500kg jacking beam included

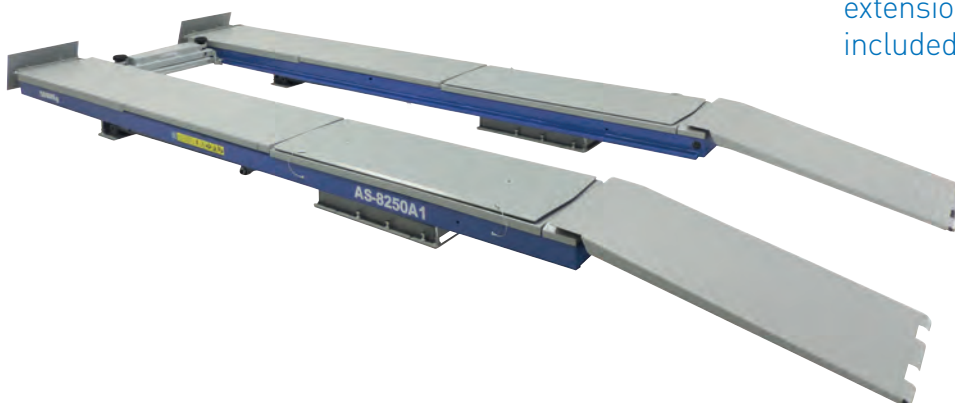


80mm

Jacking beam lift pad extensions included



180mm



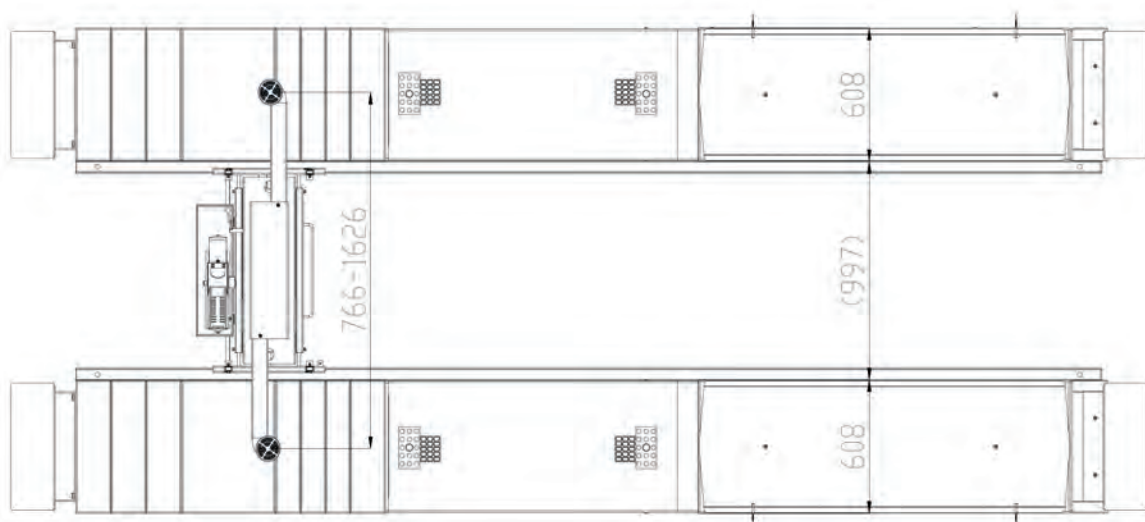
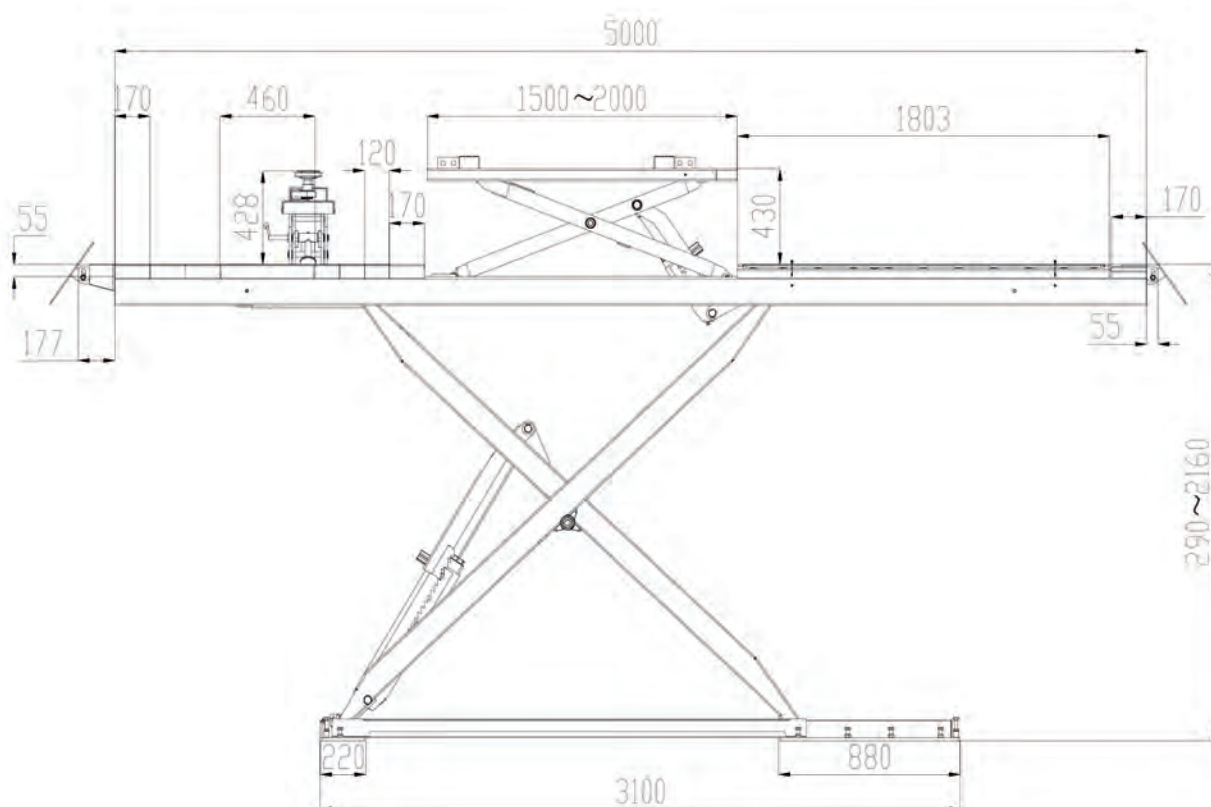


# 5T Capacity Alignment Scissor Lift

Automotech Services Ltd

Layout for in-ground installation

Dimensions in mm





# 5T Capacity Alignment Scissor Lift

Layout for on-ground installation

Dimensions in mm

